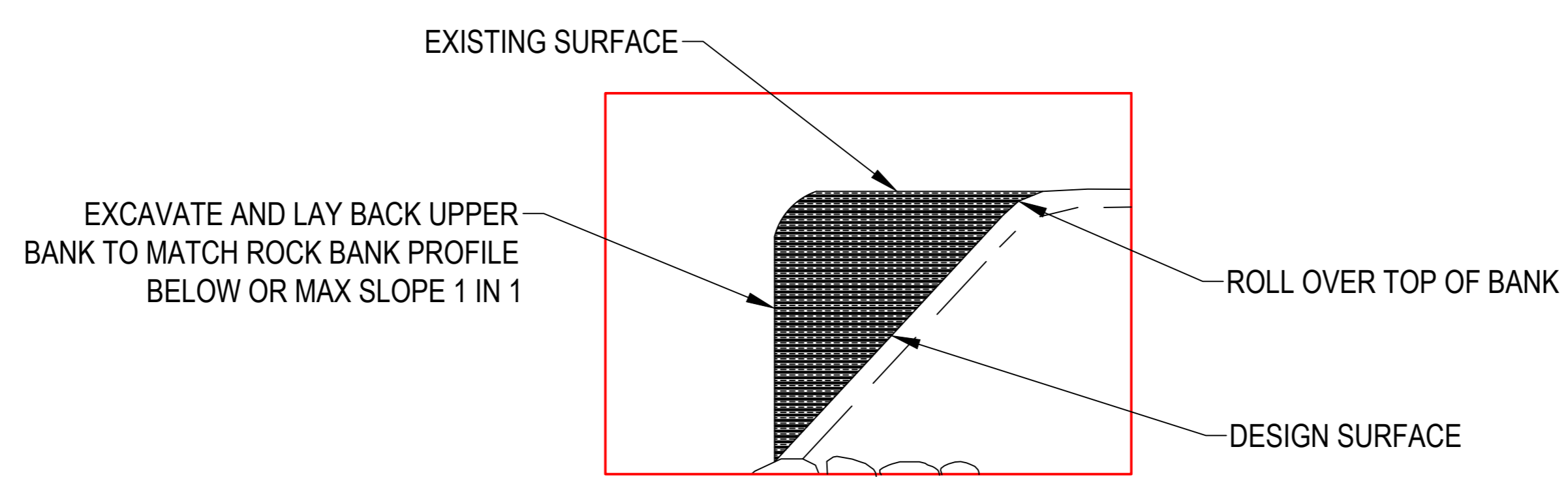


TYPICAL ROCK BANK STABILISATION SINGLE SIZED ROCK FILL ABOVE



TYPICAL ROCK BANK STABILISATION SINGLE SIZED ROCK CUT ABOVE

- NOTE:
- DEPENDING ON SCALE OF WORKS COMPACTION TESTING MAY BE REQUIRED
 - ROCK SIZE GENERALLY MIN 2.5 TIMES THE MEDIAN SIZE (D50) OF THE MIXED ROCKWORK

**CONCEPT ONLY
NOT TO SCALE**

										TITLE ROCKWORK DRAWING BANK STABILISATION FOR EMBANKMENT GREATER THAN OR EQUAL TO 1 IN 1.5			
										PROJECT DATUM		ORIGINAL SIZE	
										SCALE		7251/08/102	
										DRAFTER		DESIGNER	
										DESIGN MANAGER APPROVAL		PROJECT MANAGER APPROVAL	
										DRAFTING CHECK		ENGINEERING REVIEW	
										COMPANY		PROJECT OR WO NUMBER	
										DRAWN		ENG. CHECK	
										PR. MAN. APP'D		DATE	
										CODE		MWC DRAWING NUMBER	
										REV		REV	